

28" Depth, 4" High	MODEL
<ul style="list-style-type: none"> <li>◆ 675± CFM</li> <li>◆ 7" Round Duct</li> </ul> <p>Order duct cover separately from table below at no charge.</p>	ISN2036PSSB-SS ISN2042PSSB-SS ISN2048PSSB-SS  ISN-STK-SS
<ul style="list-style-type: none"> <li>◆ 810± CFM</li> <li>◆ 8" Round Transition</li> </ul> <p>Order duct cover separately from table below at no charge.</p>	ISN2036PSSB-8-SS ISN2042PSSB-8-SS ISN2048PSSB-8-SS  ISN-STK-SS
<ul style="list-style-type: none"> <li>◆ 1370± CFM</li> <li>◆ Two (2) 8" Round Transitions</li> </ul> <p>Order duct cover separately from table below at no charge.</p>	ISN2042PS1-TWSB-8-SS ISN2048PS1-TWSB-8-SS  ISN-STK-SS



ISN2000PSSB

**FEATURES:**

- ◆ 304 Marine Grade Stainless Steel.
- ◆ Variable Controls
- ◆ Sones: 1.5 to 4.6
- ◆ Filters: Slim Baffle
- ◆ Front /Back Panel Lighting: LED bulbs Included.
- ◆ Heat Controlled Thermostat, Fire Safety Controls. Activates at 130 degrees.
- ◆ Electrical: 115 AC, 60 Hz, 9 Amps. For proper installation, unit must be hard wired. Suggested use with 15 Amp Circuit.
- ◆ Suggested Distance Code: 36" above cooking surface.

**OPTIONS:**

- ◆ Angle cut duct covers additional charge. Must provide drawing and dimensions.
- ◆ Remote wiring, see accessories.
- ◆ Black or White Powder Coat, additional charge.  
Ex: ISN2036PSSB-WH (White)
- ◆ Matte Black, additional charge.  
Ex: ISN2036PSSB-MB (Matte Black)
- ◆ Custom Sizes Available.

NO Performance Warranty over BBQ Grills/Griddles.

NO Returns on Matte or RAL colors.

Seamless Duct Cover & Wood Mounting Frame  
(Duct Cover Not Telescopic)  
Order by model number below.  
Calculated on mounting height of 36" above cooking surface.

MODEL—Standard Sizes	CEILING HEIGHT
ISN-STK-SS-8	8" High for 7' Ceiling
ISN-STK-SS-20	20" High for 8' Ceiling
ISN-STK-SS-32	32" High for 9' Ceiling

**MODEL—Custom Size**  
 ISN-STK-SS = Custom Size Provided at no charge up to 48" High  
 Provide Height: Ex: ISN-STK-SS-26"  
 Call for Additional charge for duct covers over 48" High.

Custom Stack Height Calculations.

Call for Immediate Assistance (800) 851-4192



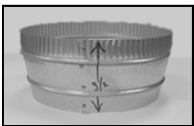
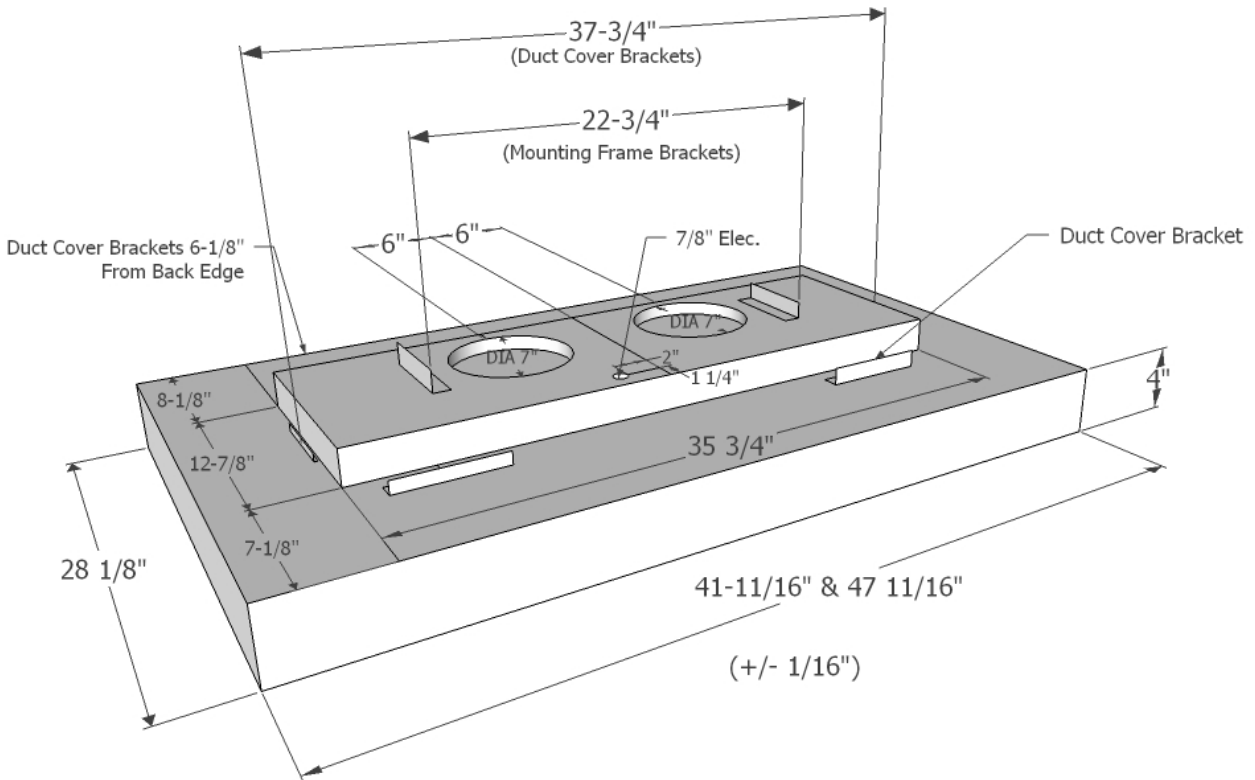
Wood Mounting Frame & Duct Cover—TOP VIEW



Wood Mounting Frame & Duct Cover



# Island Specifications



8" Transition  
8" Round x 3-1/2" high

NOTE: Duct Cover Depth & Width  
Twin Duct:  $14\frac{7}{8}$ " D X  $37\frac{3}{4}$ " W

**SEVEN YEAR, IN HOME, LIMITED WARRANTY, THE BEST IN THE INDUSTRY!**

All dimensions are ( $\pm$ )  $1/16$ " and are subject to change. Drawings are not to scale.